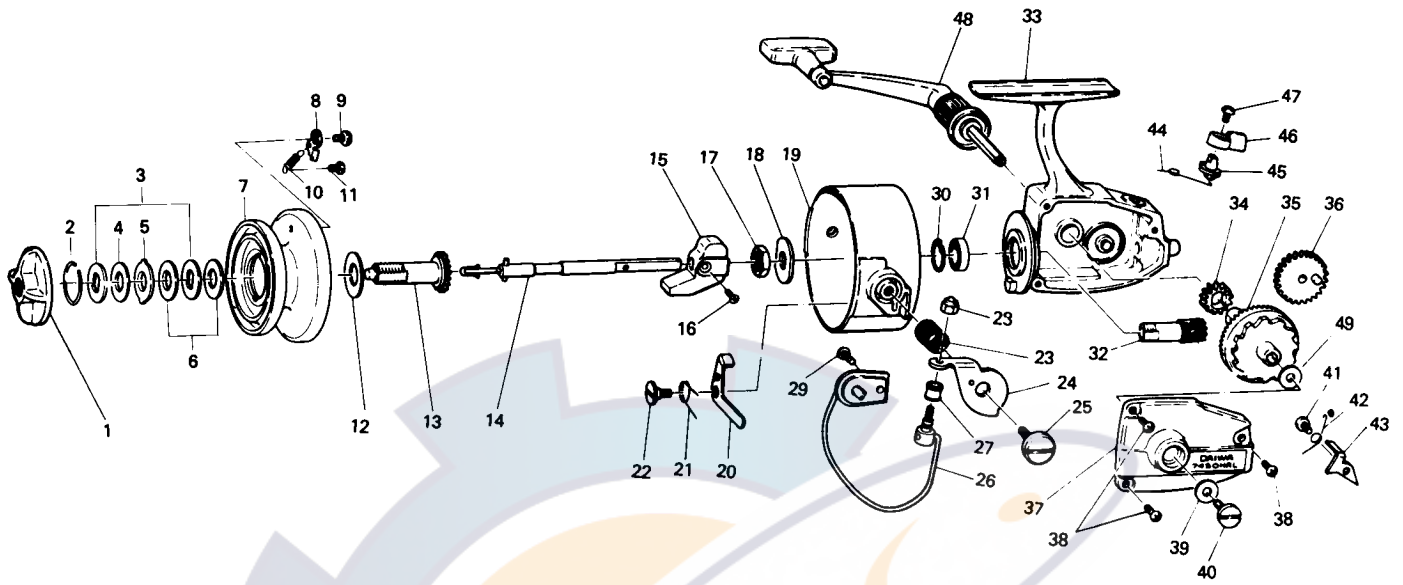


SPINNING REEL 7450HRL



LINE CAPACITY: 315 YDS 10 LB. TEST (290m. 4.5kg)

Key No. 1 ~ 13

K-007-8632 Spool assembly \$4.50

| Key No. | Parts No. | Parts Name | Price Per Piece | Key No. | Parts No. | Parts Name | Price Per Piece |
|---------|------------|-------------------------------|-----------------|---------|------------|--------------------------|-----------------|
| 1 | 6-007-8414 | Drag knob | \$1.90 | 26 | 6-007-6201 | Bail | \$2.25 |
| 2 | 6-170-4601 | Drag washer retainer | .10 | 27 | 6-250-1901 | Line roller | .30 |
| 3 | 6-373-3501 | Drag D washer | .15 | 28 | 6-340-9101 | Bail nut | .45 |
| 4 | 6-373-3701 | Disc washer | .25 | 29 | 6-351-6401 | Bail holder screw | .10 |
| 5 | 6-373-3601 | Drag A washer | .10 | 30 | 6-320-2911 | Ball bearing ret. ring | .25 |
| 6 | 6-373-3411 | Drag washer A | .20 | 31 | 6-631-6901 | Ball bearing | 2.80 |
| 7 | 6-512-1321 | Spool | N/A | 32 | 6-401-3901 | Pinion gear | 1.60 |
| 8 | 6-040-1021 | Spool click claw | .25 | 33 | 6-007-6151 | Body | 4.50 |
| 9 | 6-352-0601 | Spool click claw screw | .10 | 34 | 6-401-3701 | Oscillating pinion | .70 |
| 10 | 6-142-0011 | Spool click claw spring | .15 | 35 | 6-412-0211 | Drive gear | 1.95 |
| 11 | 6-361-7402 | Spool click claw spring screw | .15 | 36 | 6-401-4801 | Oscillating gear | 1.00 |
| 12 | 6-375-5701 | Spool washer | .10 | 37 | 6-007-6501 | Body cover | 1.80 |
| 13 | 6-007-8561 | Spool metal | 1.20 | 38 | 6-351-6401 | Body cover screw | .10 |
| 14 | 6-007-6461 | Main shaft | .80 | 39 | 6-372-4601 | Handle washer | .10 |
| 15 | 6-480-6301 | Oscillating slider | .40 | 40 | 6-351-5531 | Handle screw | .25 |
| 16 | 6-352-1501 | Oscillating slider screw | .10 | 41 | 6-350-1931 | Anti-reverse claw screw | .10 |
| 17 | 6-340-5842 | Rotor nut | .25 | 42 | 6-142-5411 | Anti-reverse claw spring | .10 |
| 18 | 6-372-9202 | Rotor retaining washer | .25 | 43 | 6-110-7401 | Anti-reverse claw | .25 |
| 19 | 6-201-7911 | Rotor | 3.50 | 44 | 6-142-2801 | Anti-reverse cam spring | .15 |
| 20 | 6-570-6411 | Bail kick lever | .45 | 45 | 6-460-6821 | Anti-reverse cam | .25 |
| 21 | 6-142-5321 | Bail kick lever spring | .10 | 46 | 6-540-3711 | Anti-reverse lever | .30 |
| 22 | 6-363-1501 | Bail kick lever screw | .20 | 47 | 6-350-1931 | Anti-reverse lever screw | .10 |
| 23 | 6-140-9231 | Bail spring | .15 | 48 | 6-007-6653 | Handle | 4.25 |
| 24 | 6-230-8301 | Arm lever | .50 | 49 | 6-370-5150 | Drive gear washer | .10 |
| 25 | 6-361-6413 | Arm lever screw | .65 | | | | |